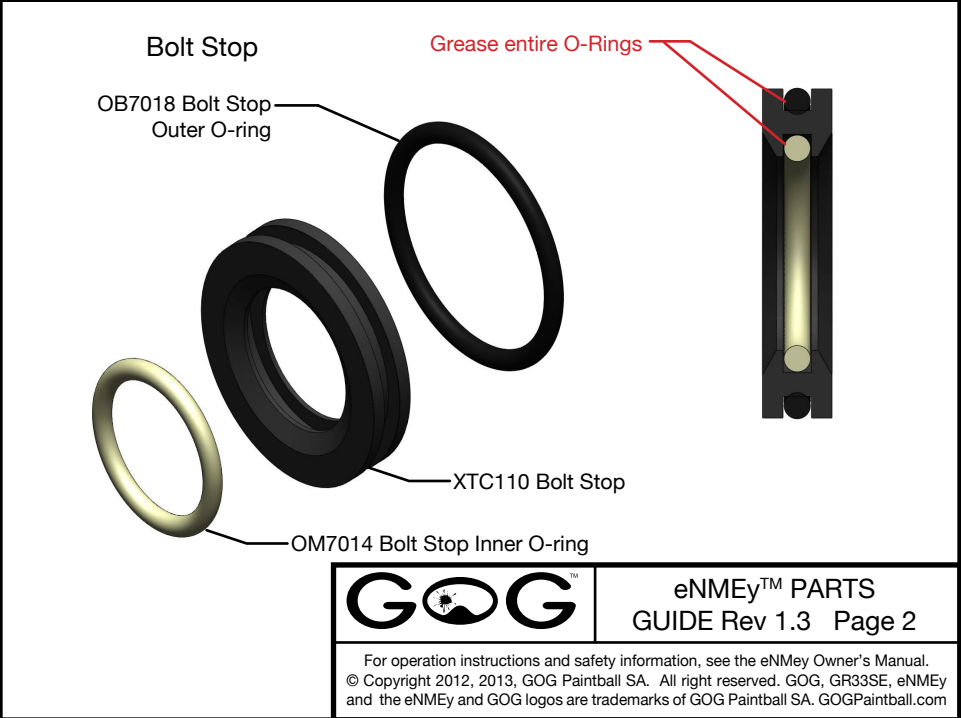
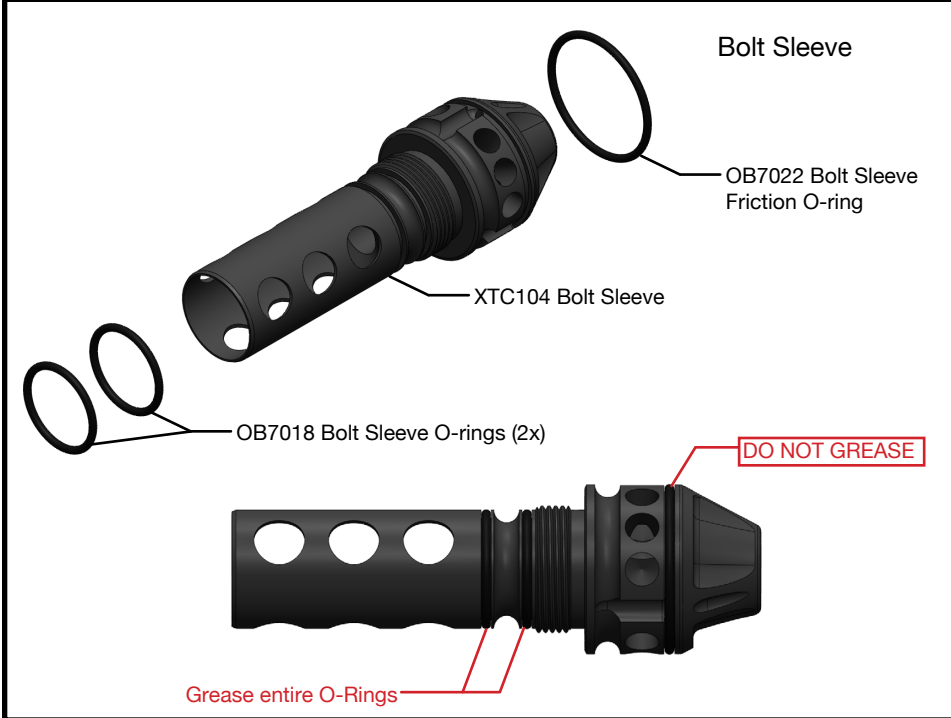
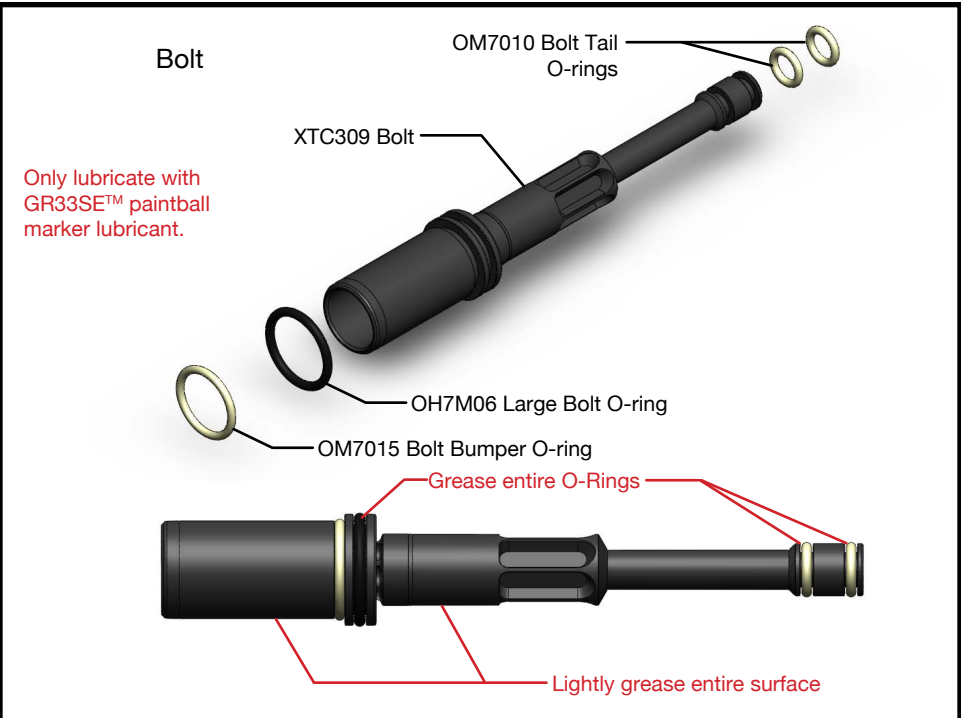
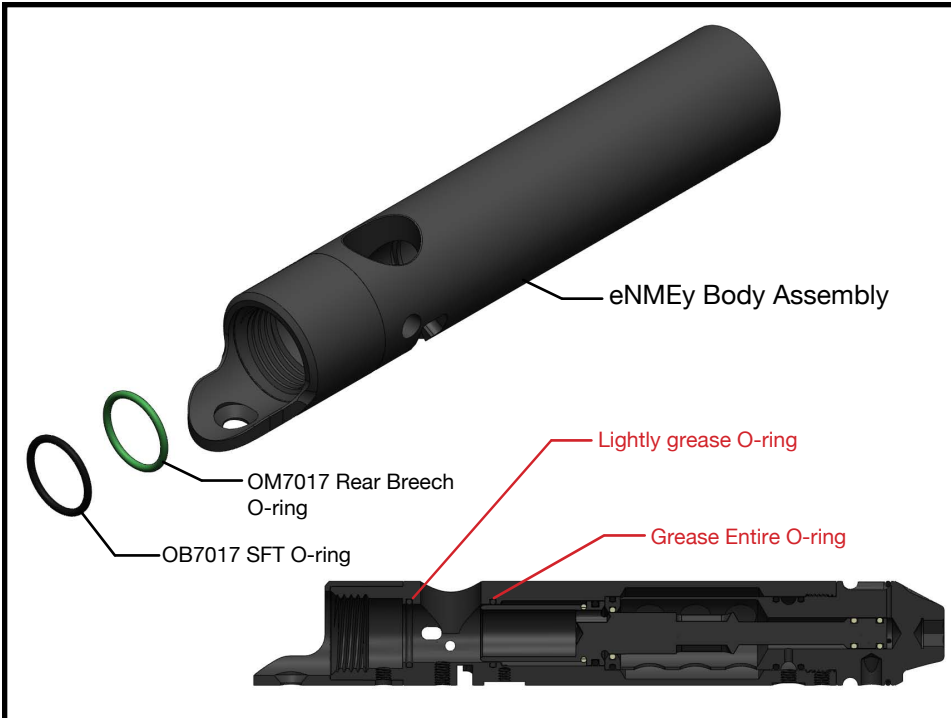
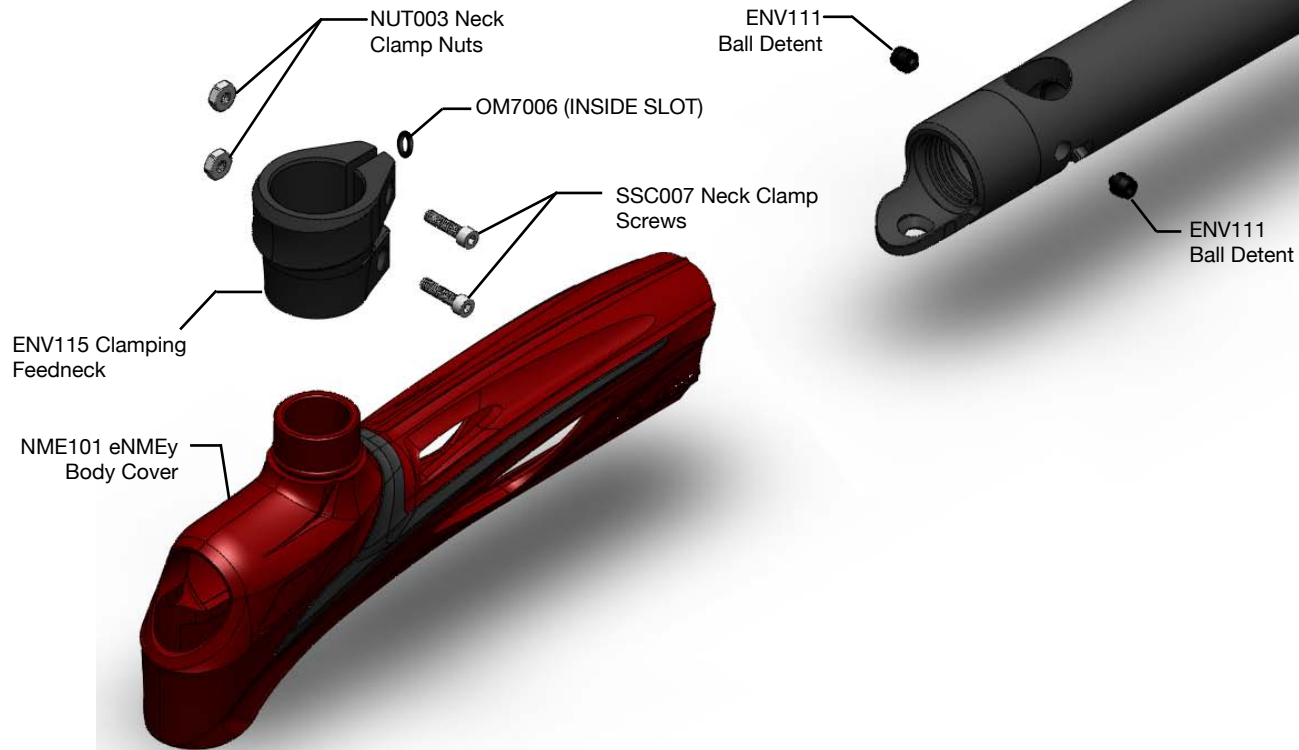


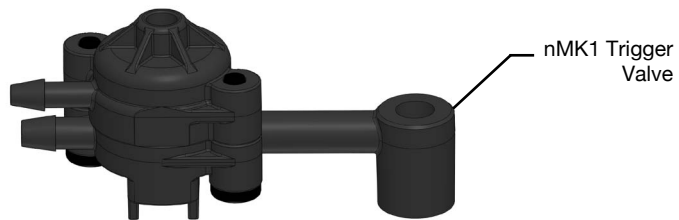
**GOG**<sup>TM</sup>  
paintball

**eNMEY**<sup>TM</sup>  
parts guide

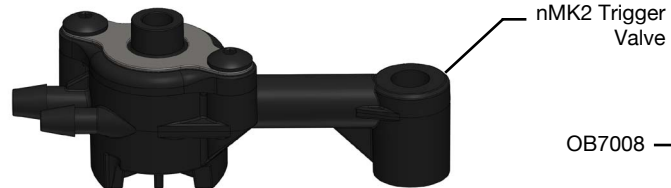






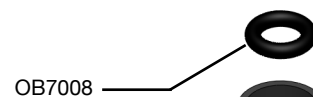


nMK1 Trigger Valve

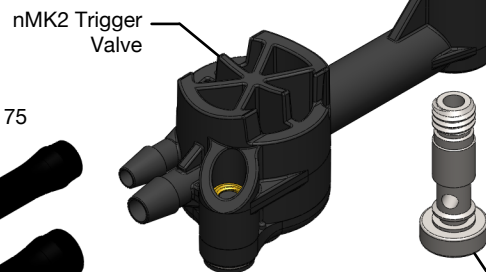


nMK2 Trigger Valve

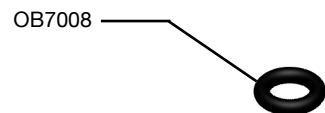
The nMK2 Trigger Valve may be identified by its lower profile, downward facing screw heads (when mounted in the eNMEy) and metal pressure plate. Correct valve identification is critical to trigger actuator selection (see page 8).



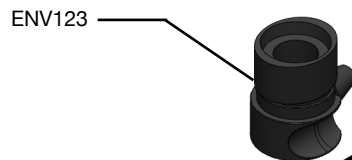
OB7008



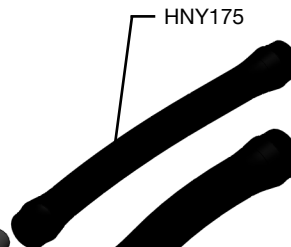
nMK2 Trigger Valve



OB7008



ENV123

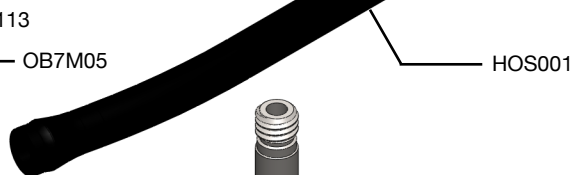


HNY175



OB7M04

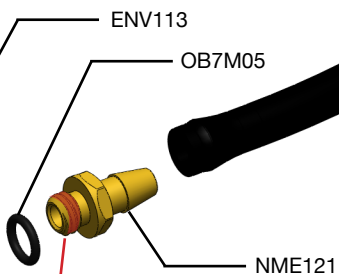
ENV122



HOS001



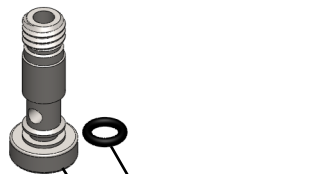
Sealed to ASA with thread-locking compound



ENV113

OB7M05

NME121

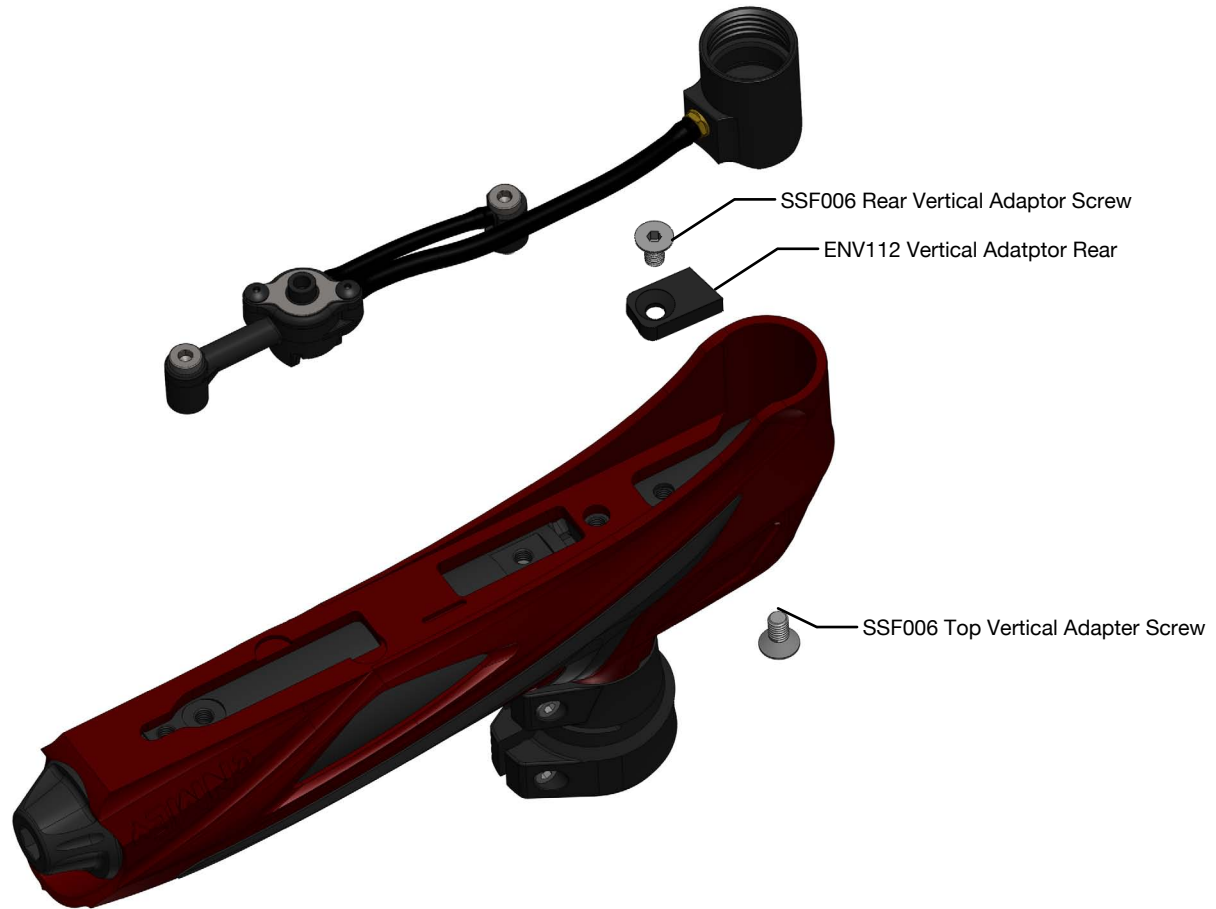


OB7M04

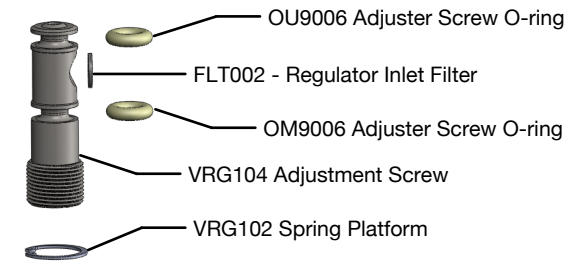
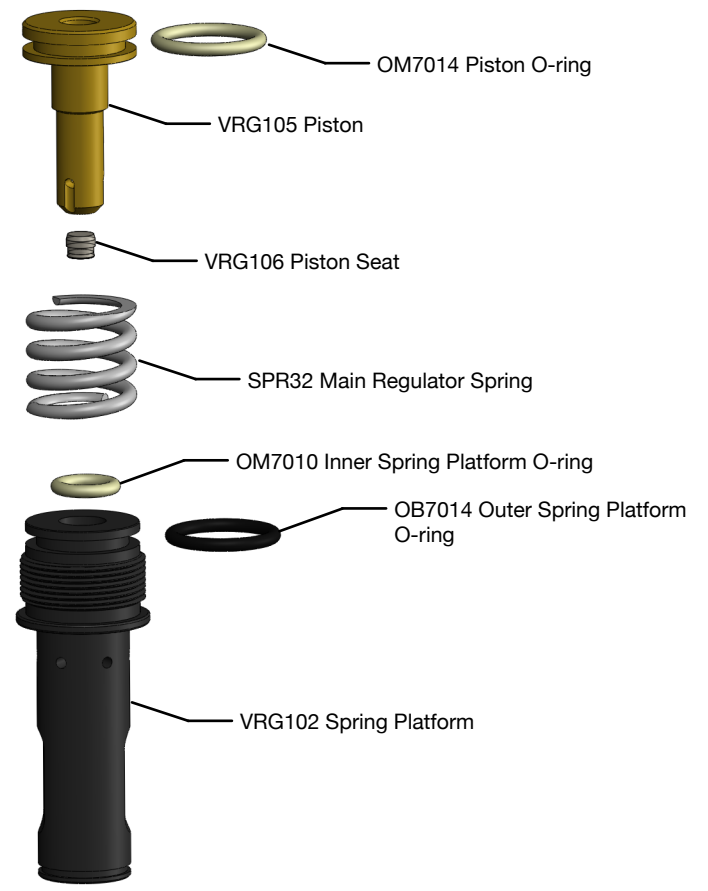
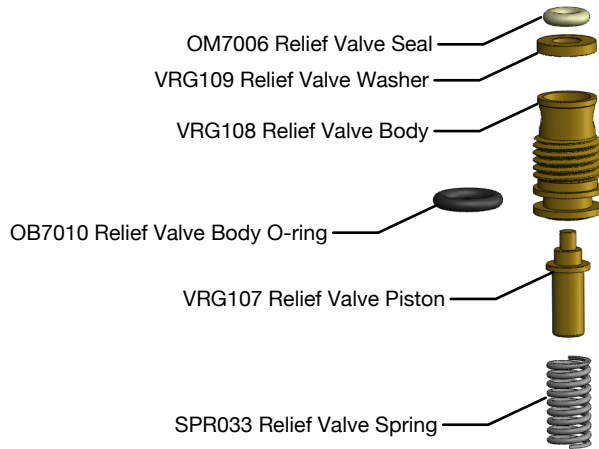
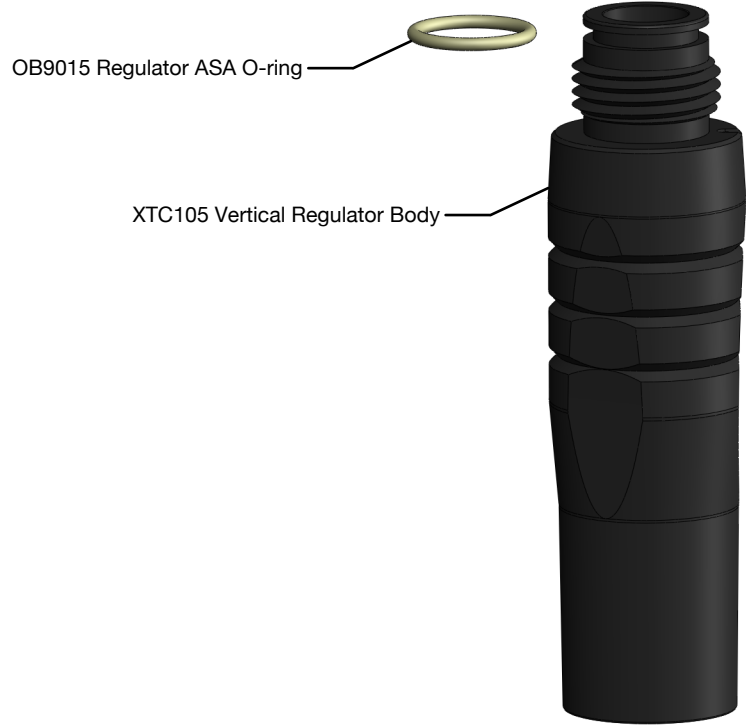
ENV122

NOTE: Pneumatics hoses are single-use parts. Once removed from a barbed fitting, they will have been stretched to the point that they can no longer provide a reliable seal.



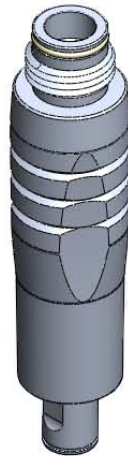


# Vertical Regulator



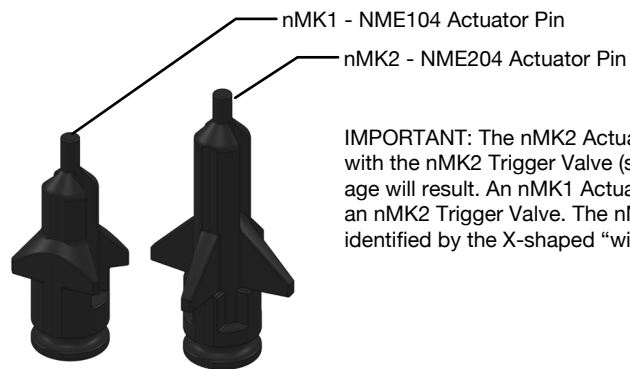
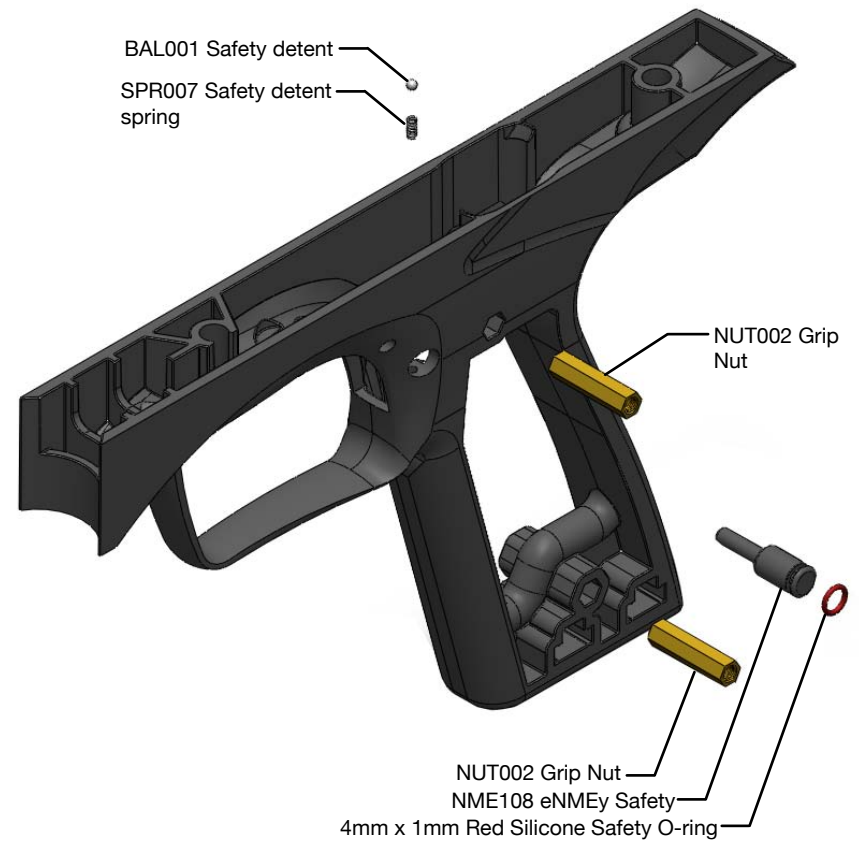
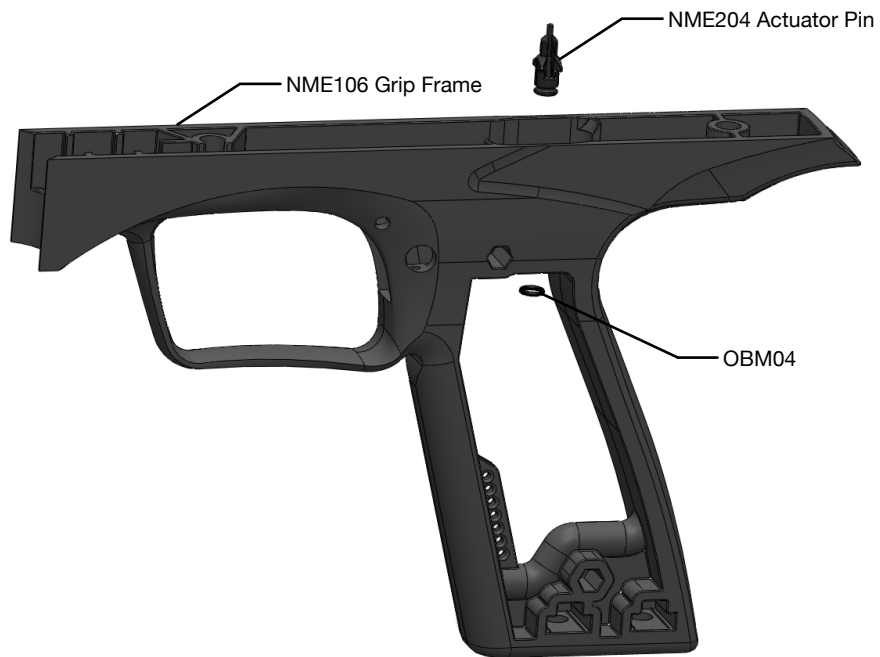


FLT001 Filter Screen



Vertical Regulator

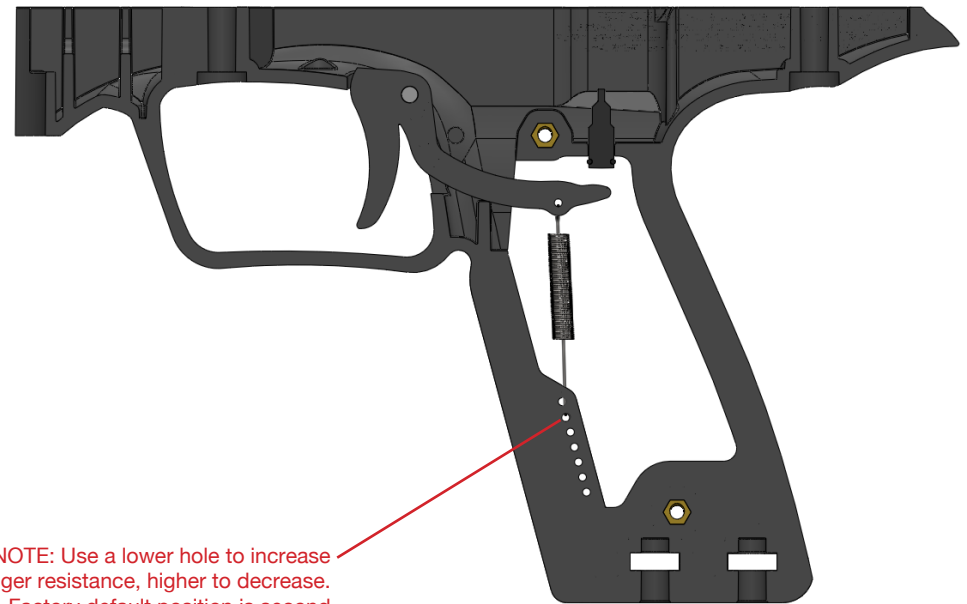
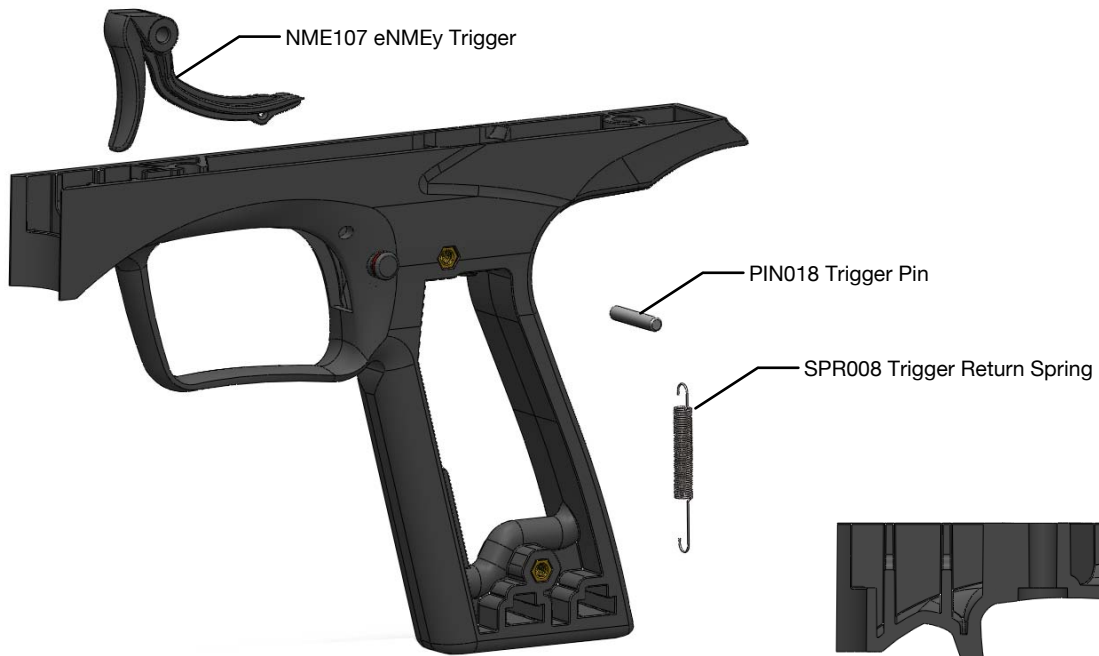




**IMPORTANT:** The nMK2 Actuator Pin must only be used with the nMK2 Trigger Valve (see page 4) or valve damage will result. An nMK1 Actuator Pin will not work with an nMK2 Trigger Valve. The nMK2 Actuator Pin may be identified by the X-shaped "wings" in its middle.





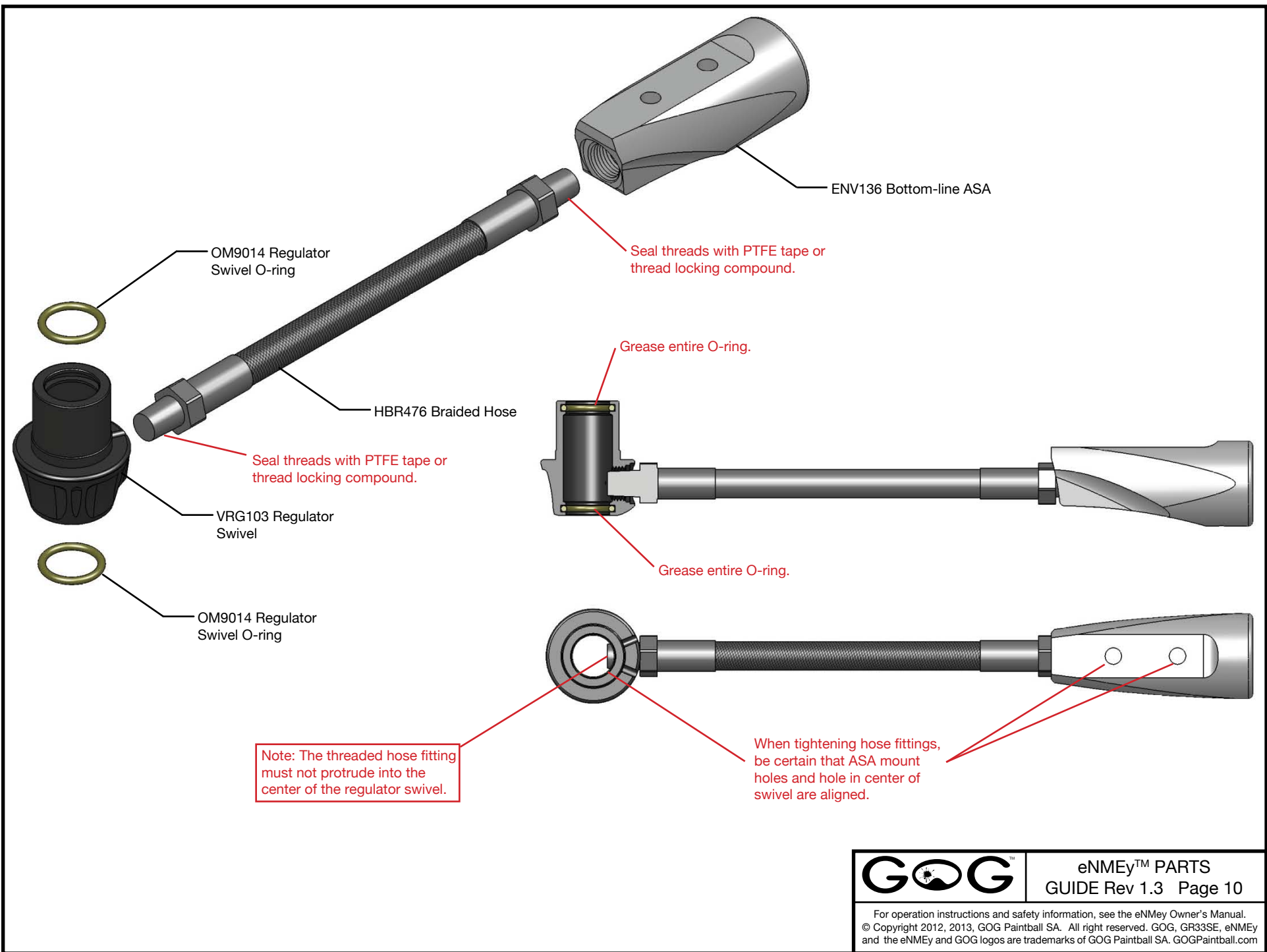


NOTE: Use a lower hole to increase trigger resistance, higher to decrease. Factory default position is second from the top for a light, yet reliable trigger pull.



eNMEy™ PARTS  
GUIDE Rev 1.3 Page 9

For operation instructions and safety information, see the eNMEy Owner's Manual.  
© Copyright 2012, 2013, GOG Paintball SA. All right reserved. GOG, GR33SE, eNMEy and the eNMEy and GOG logos are trademarks of GOG Paintball SA. GOGPaintball.com









eNMEy™ PARTS  
GUIDE Rev 1.3 Page 13

For operation instructions and safety information, see the eNMEy Owner's Manual.  
© Copyright 2012, 2013, GOG Paintball SA. All right reserved. GOG, GR33SE, eNMEy  
and the eNMEy and GOG logos are trademarks of GOG Paintball SA. GOGPaintball.com



eNMEy™ PARTS  
GUIDE Rev 1.3 Page 14

For operation instructions and safety information, see the eNMEy Owner's Manual.  
© Copyright 2012, 2013, GOG Paintball SA. All right reserved. GOG, GR33SE, eNMEy  
and the eNMEy and GOG logos are trademarks of GOG Paintball SA. GOGPaintball.com